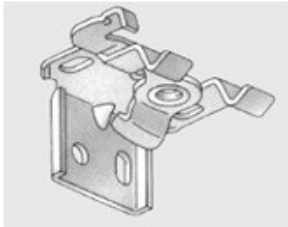


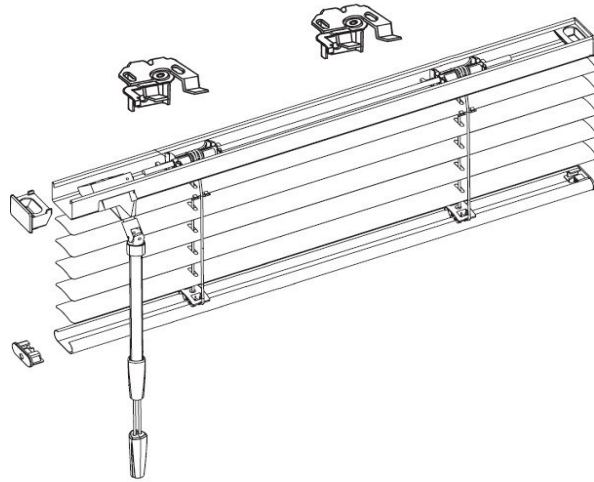
Fitting Venetian Blinds with Uniwand Controls

Supplied Parts

Swivel Brackets

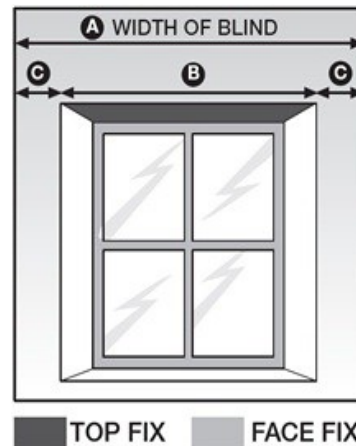


Blind With Uniwand Controls



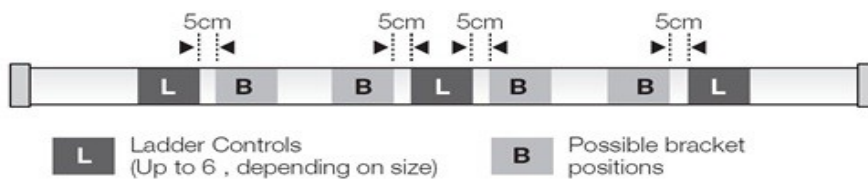
Installation

Determine if your blinds require a face or top fix installation.



Bracket installation

Place the brackets evenly along the designated line before mounting in order to ensure that the blind is properly supported.

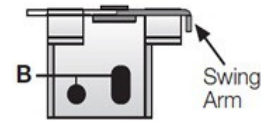


Please be aware that the end positions are essential and extra brackets will be supplied if the blinds surpass a certain width.

Fitting the brackets

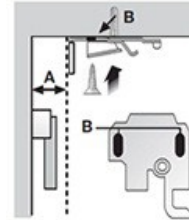
Face Fixing

Position the bracket accordingly so that the swing arm is facing you and mark where the holes are positioned. If mounting the blinds to the wall, use rawl plugs to screw the brackets firmly.



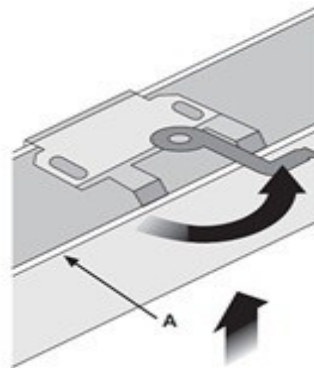
Top Fixing

Measure the distance from any protrusions from the window or door frame, then mark the position of the brackets on the lintel and use the rawl plugs and screws to fix them firmly.

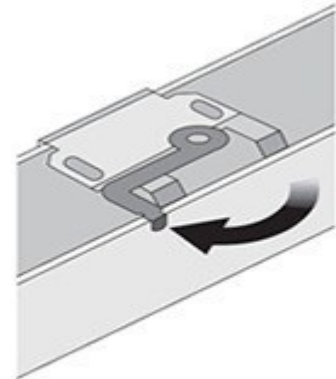


Headrail installation

Pull the swing arm of the bracket counterclockwise to open and ease the front lip of the headrail into place before attaching the blind over the bracket. (A)



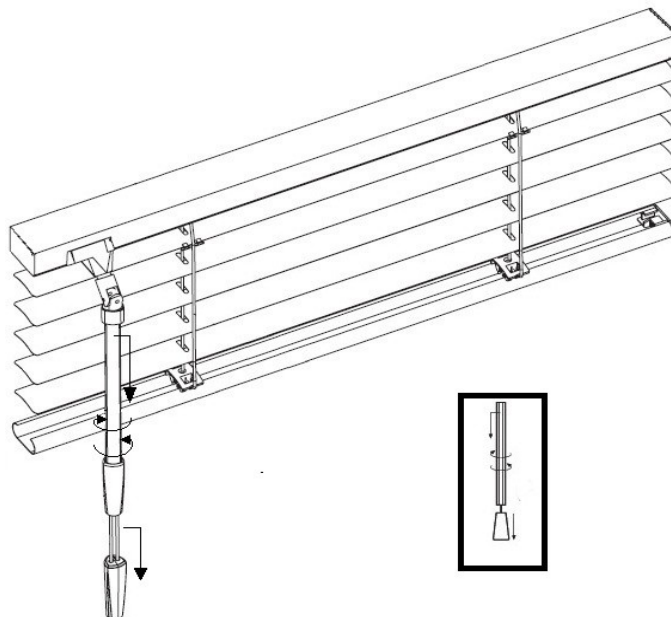
Push the swing arm clockwise to lock firmly while holding the headrail.



Operation

Pull on the wand control to release the cord then use the cord controls to raise or lower the blind to the desired position.

Rotate the wand control to adjust the angle of the slats.



Child Safety

Venetian blinds with uniwand controls have a compact structure since the wand control has a hollow tube through which the control cords are passed for superior safety.

For excess cord a cord cleat has been embedded in the structure of the wand. After positioning the cord wrap the cord around the cleat enough times so that it no longer forms loops and is out of reach of children as illustrated in the picture.

